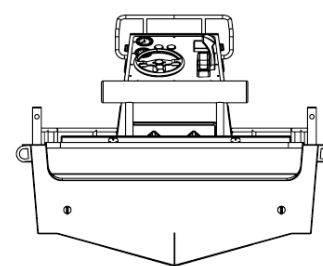
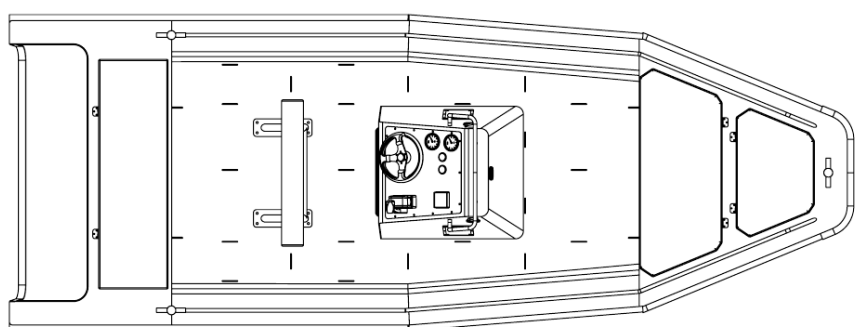
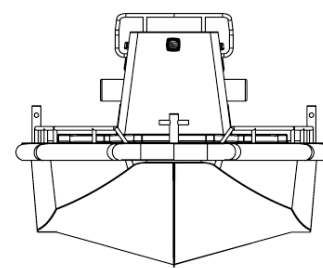
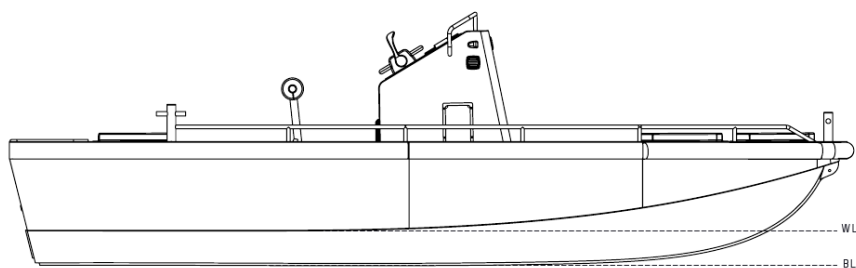


# Datasheet

6.0m V- bottom Skiff – P343



Naval Design



## Dimensional Data

Length Overall	5800 mm
Beam	2200 mm
Displacement - Lightship	559 kg
Fuel Capacity	25 L
Draft	0.25 m
Deadrise angle @ transom	15°
Max passengers	6
Berths	N/A
WC	N/A

## Standard Features

- Aluminium construction
- Handrails
- Bollards
- Buoyancy compartments
- Heavy duty fender system
- Console system if applicable

## Options and Accessories

- Movable seating
- Collapsible awning
- A-Frame
- Lifting point

## Engine Data

Max Power recommended

Hp	Max Speed,knt	Cruise Speed,knt	Range @ Cruise,nm	Endurance, hours
60	31	22	90	4
90	38	27	74	3
120	44	31	64	2

## Design

KND naval design

## Certification

CE/ISO

## Propulsion

Outboard motors

ADDRESS

61 Shortmarket Street  
Cape Town, 8000, South Africa

MOBILE  
TELEPHONE

+27 (0) 72 443 7444  
+27 (0) 21 424 4852

EMAIL  
WEBSITE

kobus@navaldesign.com  
www.kobusnavaldesign.com

\*Please note that this is a non contractual document.  
We reserve the right to make changes without notice.